

Lockable Gas Spring

The lockable gas spring aids the ergonomics and comforts in many applications. With them, you can change the seated or lying position or lift heavy covers easily and precisely. Also, they are used in many other applications.

Our lockable gas springs are able to lock them in any stroke position, whether elastic or rigid. Depending on the pressure medium, this locking feature can be either rigid or elastic. Our special functions offer particular advantages when it comes to convenience and feasibility.

You can choose rigid-locking if the cushioning effect not desired in the locking position. It is suitable for lighter weight applications. These applications need high forces when locked and require no movement.

When the locking function need cushioning effect, elastic locking gas springs are used. Thus, sudden jolting loads can be reduced or even completely avoided.



Lockable Gas Spring Application



Yacht



Coach Seat



Sit-stand Desk



Height Adjustable Table



Medical Bed



Multi-Functional Adjustable Recliner

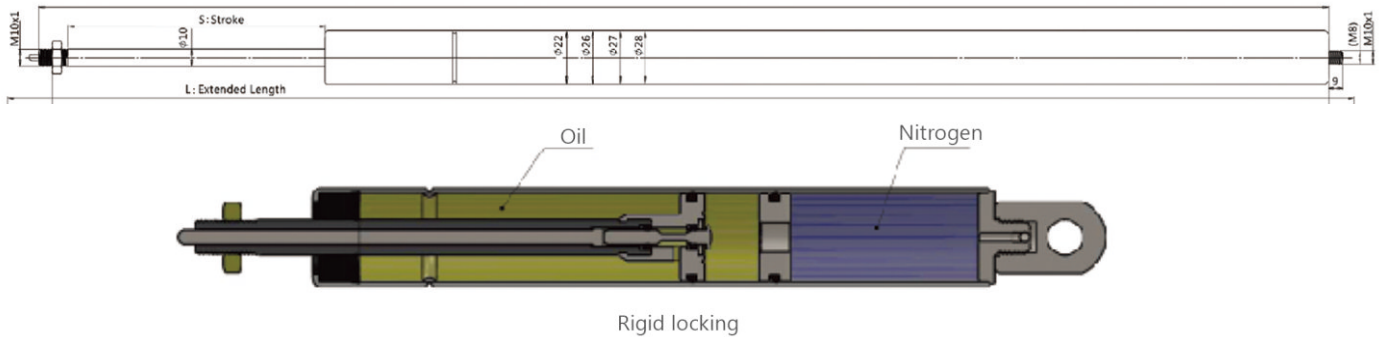


Outdoor Wicker Chaise Lounge Chair



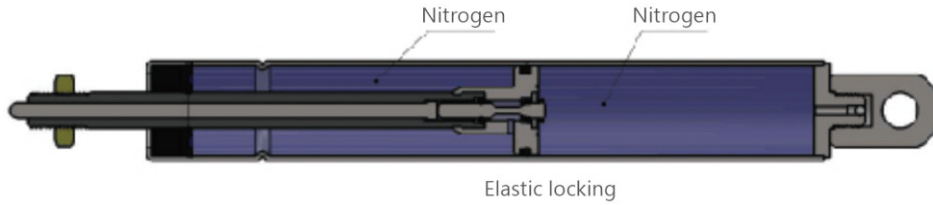
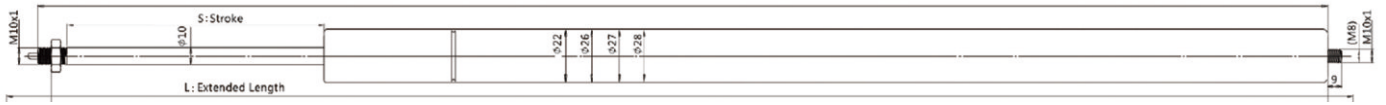
Wheelchair

Lockable Gas Spring(Rigid)



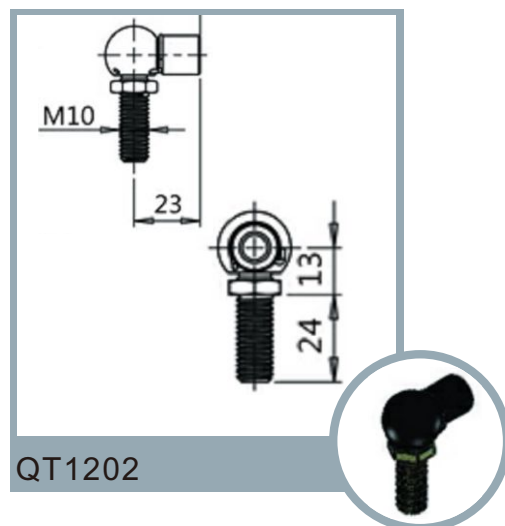
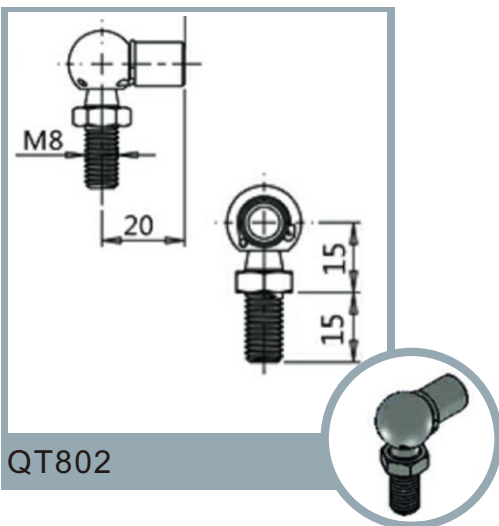
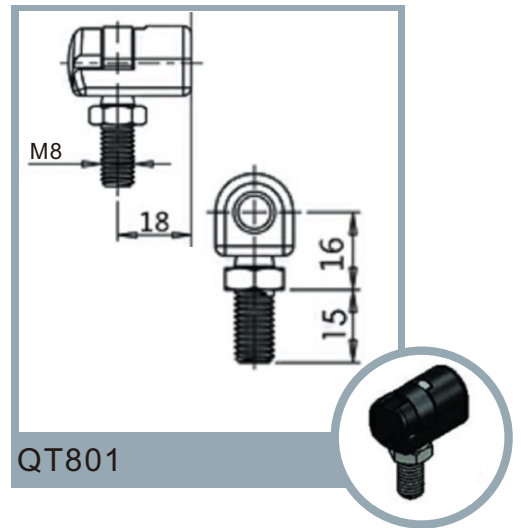
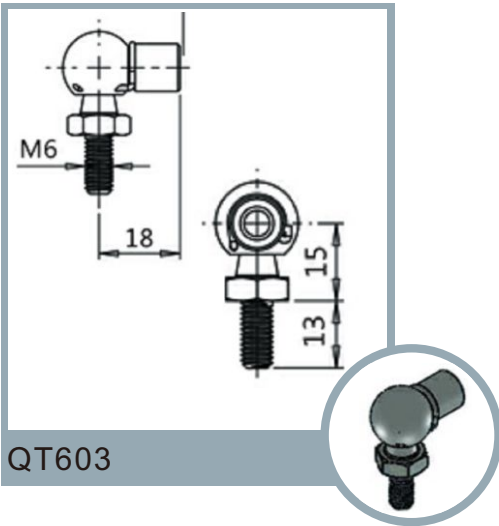
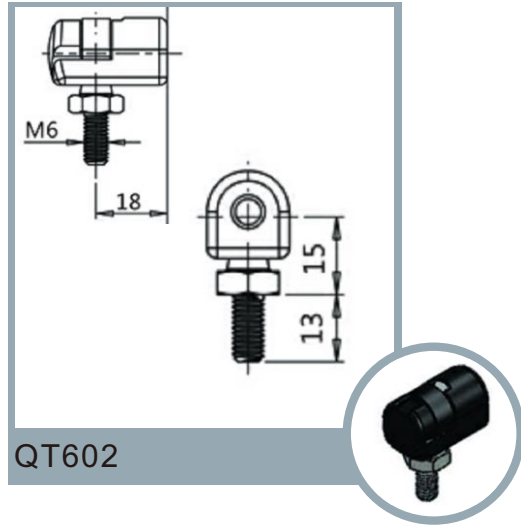
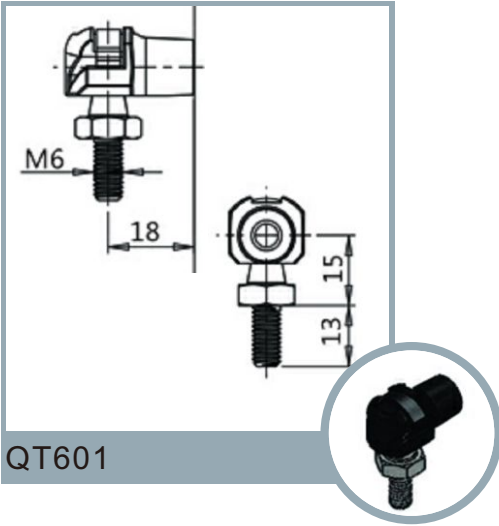
S	A(Min)	Force F1(N)	Ref. NO.
20	138	50-1000N	KQ1001
30	158		KQ1003
40	178		KQ1005
50	198		KQ1007
60	238		KQ1009
70	258		KQ1011
80	278		KQ1013
85	288		KQ1014
90	298		KQ1015
95	308		KQ1016
100	318		KQ1017
110	358	50-800N	KQ1018
120	378		KQ1019
130	398		KQ1020
140	418		KQ1021
150	438		KQ1022
160	478		KQ1023
170	498		KQ1024
180	518		KQ1025
190	538		KQ1026
200	558		KQ1027
220	618	50-600N	KQ1028
250	678		KQ1029
270	718		KQ1030
300	778		KQ1031
320	818		KQ1032
350	878	50-300N	KQ1033
370	918		KQ1034
400	978		KQ1035
450	1078		KQ1036
500	1178	50-200N	KQ1037

Lockable Gas Spring(Elastic)

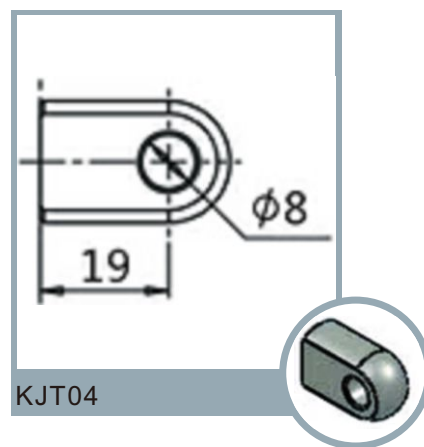
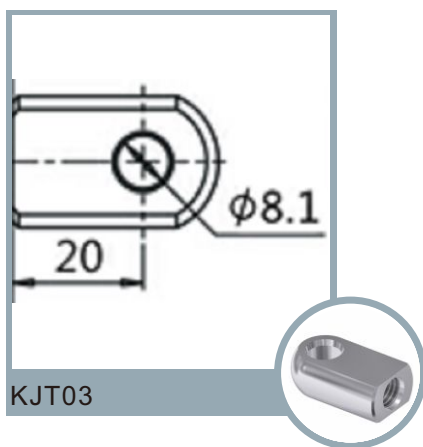
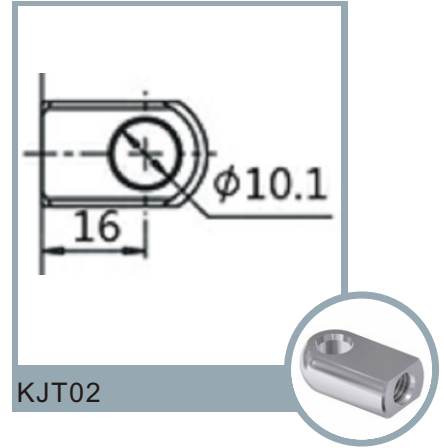
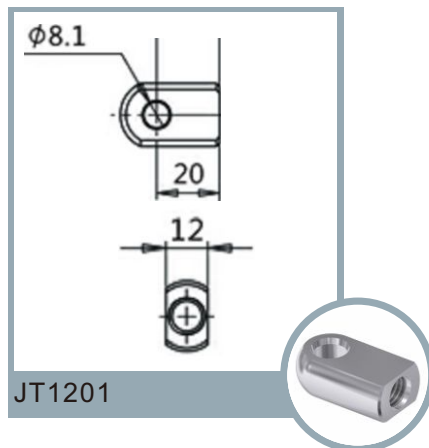
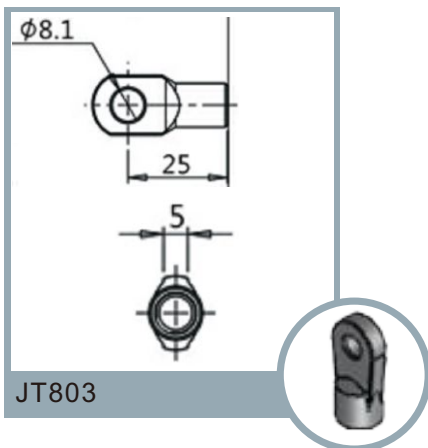
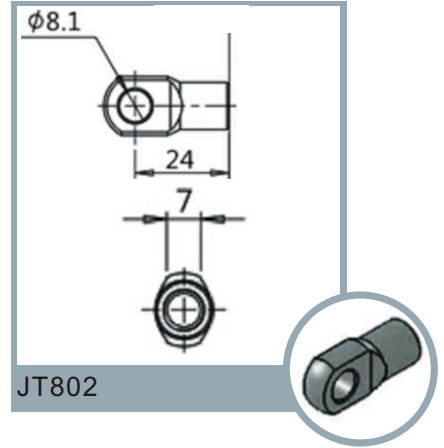
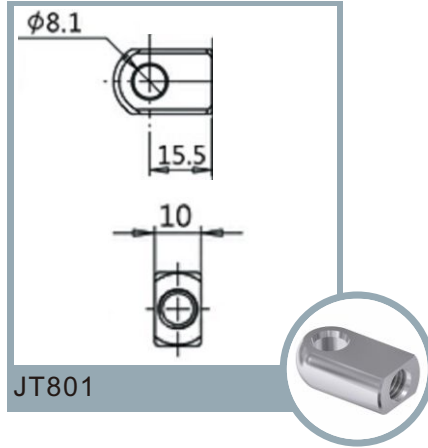
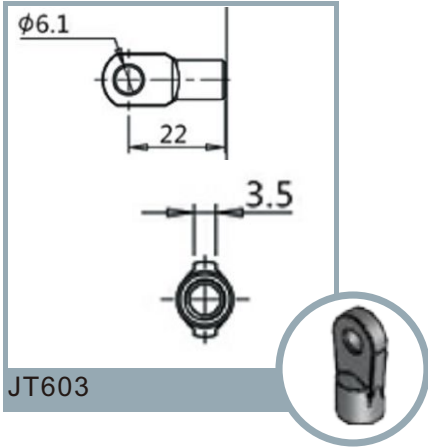


S	A(Min)	Force F1(N)	Ref. NO.
20	98	50-1000N	KQ2001
30	118		KQ2003
40	138		KQ2005
50	158		KQ2007
60	178		KQ2009
70	198		KQ2011
80	218		KQ2013
85	228		KQ2014
90	238		KQ2015
95	248		KQ2016
100	258	KQ2017	
110	278	50-800N	KQ2018
120	298		KQ2019
130	318		KQ2020
140	338		KQ2021
150	358		KQ2022
160	378		KQ2023
170	398		KQ2024
180	418		KQ2025
190	438		KQ2026
200	458		KQ2027
220	498	50-600N	KQ2028
250	558		KQ2029
270	598		KQ2030
300	658		KQ2031
320	698		KQ2032
350	758	50-300N	KQ2033
370	798		KQ2034
400	858		KQ2035
450	958		KQ2036
500	1058		KQ2037

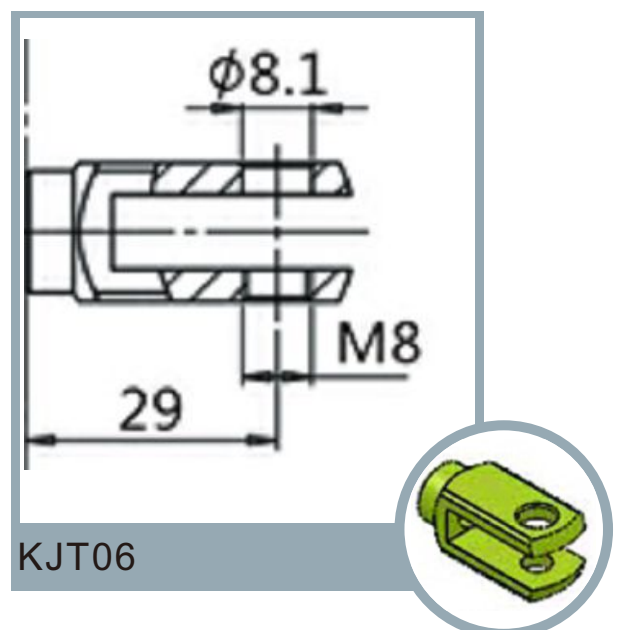
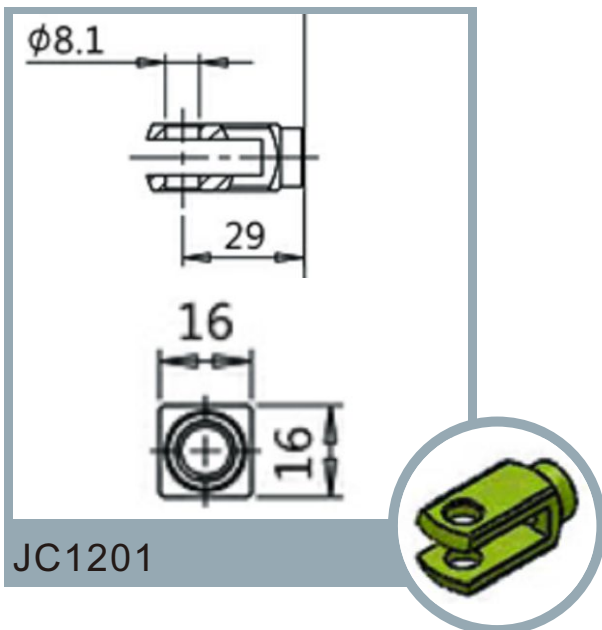
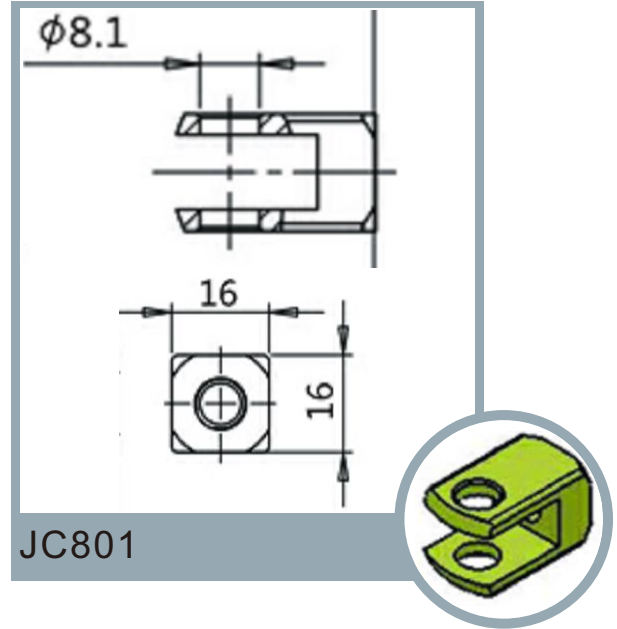
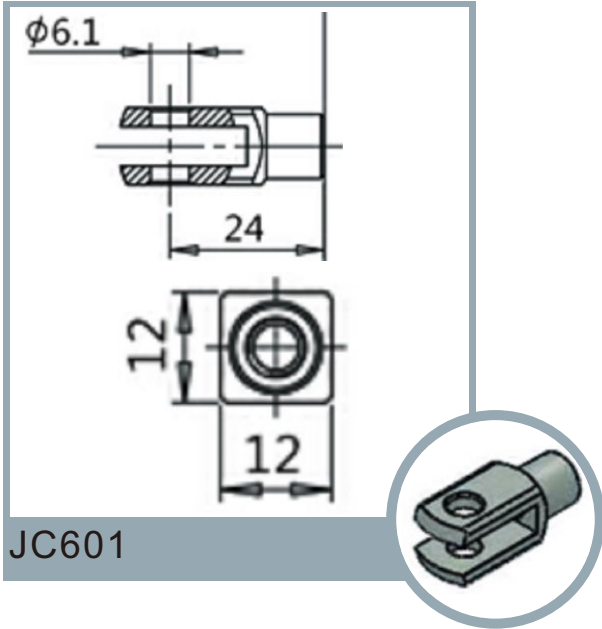
Ball joint (also called elbow joint)



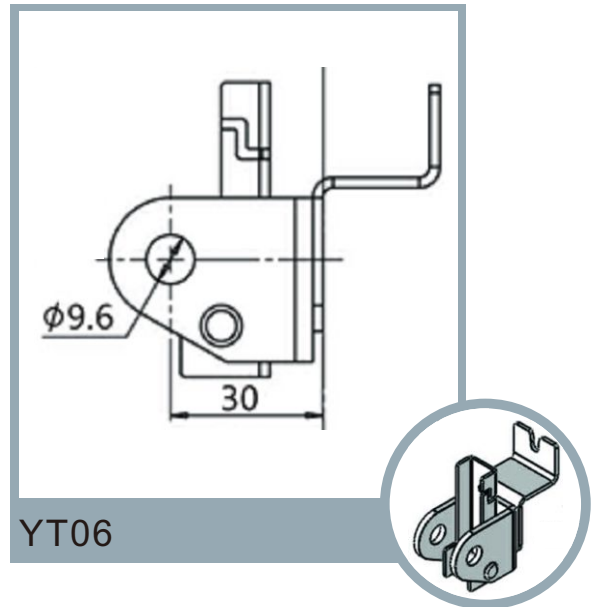
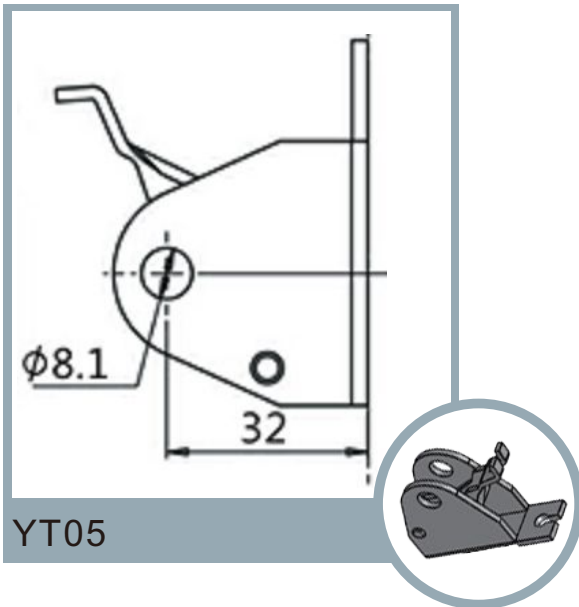
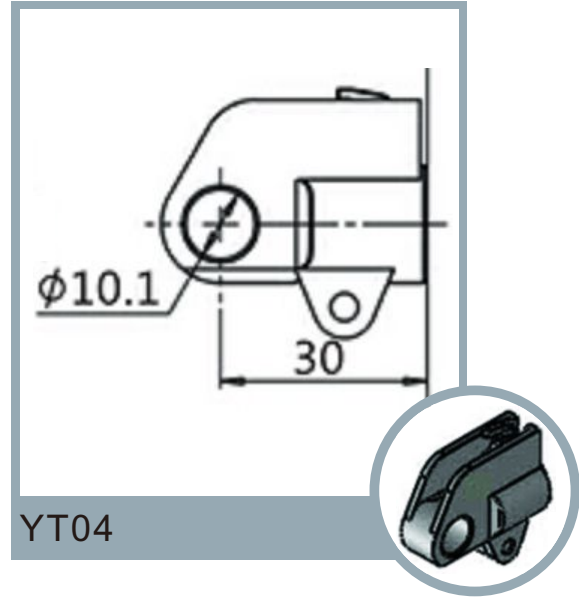
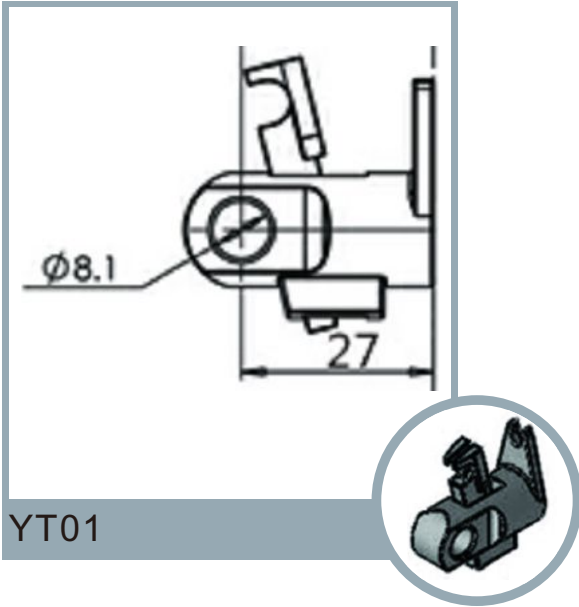
Eyelet (also called blade type)



Clevis Forks



Actuators for locking gas spring



Mounting brackets for gas spring

